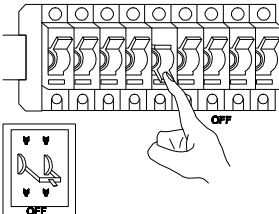
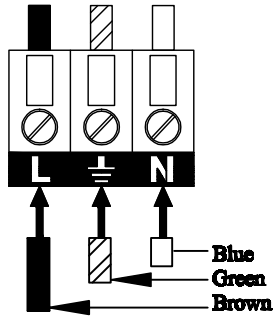
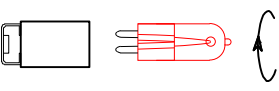
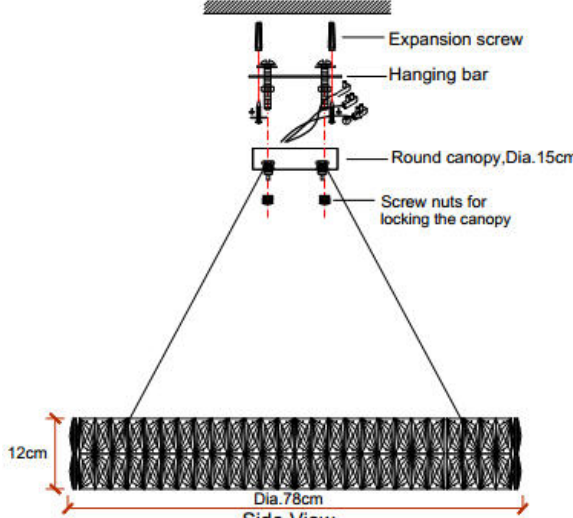
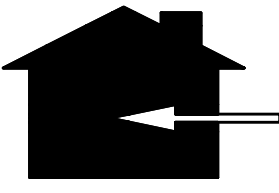
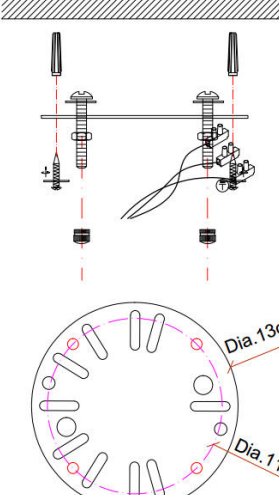
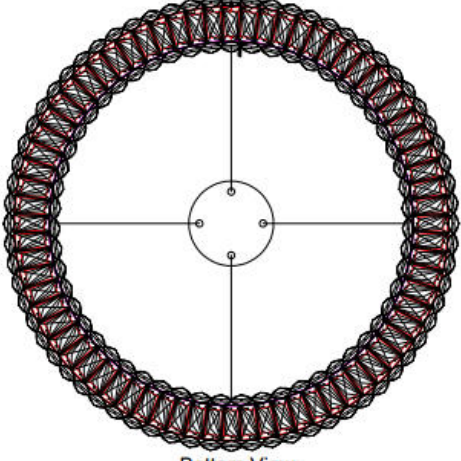
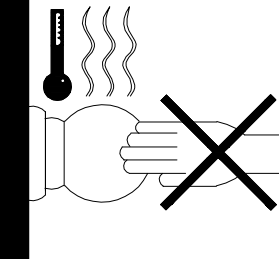



INSTALLATION INSTRUCTION

10124 + 14/S

	<p>Light size: Dia.78 x Ht.12cm Hanging bar size: Dia.13cm</p>	
 <p>G9, Max.40W, 18pcs</p>	 <p>Expansion screw Hanging bar Round canopy, Dia.15cm Screw nuts for locking the canopy</p> <p>12cm Dia.78cm Side View</p>	
 <p>Dia.13cm Dia.11cm</p>	 <p>Bottom View</p>	
<p>Plan of the hanging bar</p> <p>The size of the hanging bar is Dia.13cm, the hole distance on the hanging bar is 11cm as shown.</p>		

Installation instruction for this item:

1. Remove the cover and put the lamp on a clean place, then install the lamp;
2. The lamp is limited to used 60W bulb;
3. Fix the lamp body on the hung loop by the chain .

Warning:

1. Turn off the main power at the circuit breaker before installing the lamp in order to prevent possible shock;
2. Please wear gloves when installing the lamp;
3. Don't exceed the rated voltage 240V;
4. Don't install on haven't finished ceiling and loose wood ceiling;
5. Don't use corrosive liquor to clean it ,just as acid liquor and alkaline liquor, please use soft cloth;
6. The lamp is made of glass ,installing carefully.