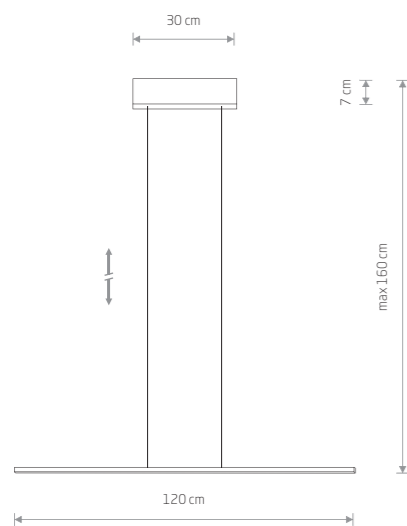


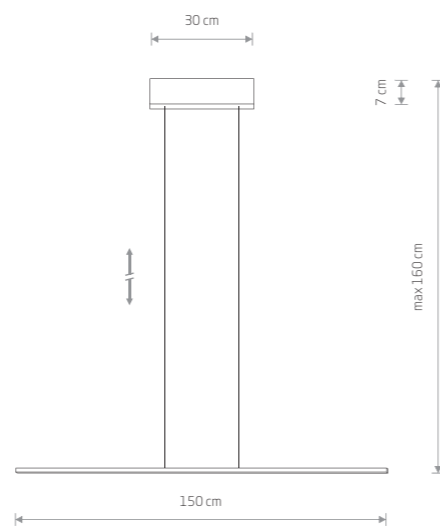
**BAR LED M  
11400**



**BAR LED S**

painting aluminum, painting steel, plastic PMMA

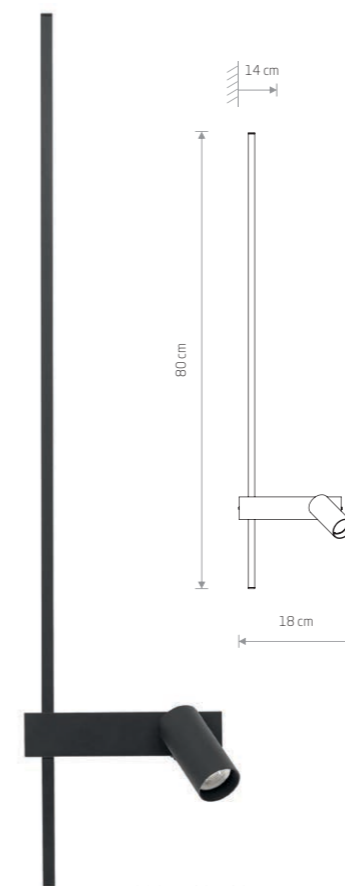
■ 11583 3000K ■ 11584 4000K



**BAR LED M**

painting aluminum, painting steel, plastic PMMA

■ 11400 3000K  
■ 11581 3000K ■ 11582 4000K



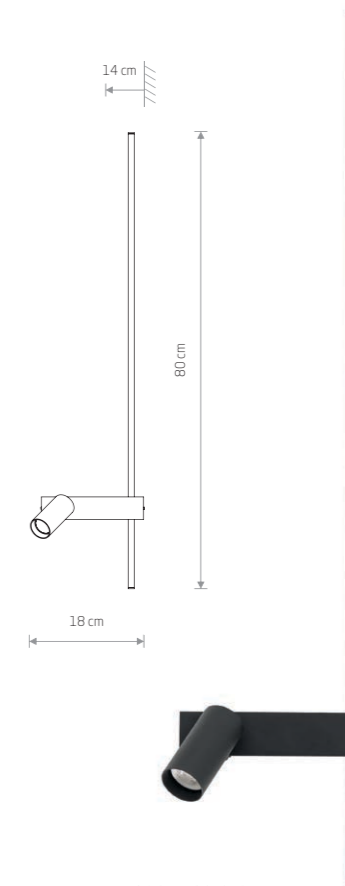
**EASY LED LEFT  
11425**

**EASY LED LEFT**

aluminum, painting steel, plastic PC

■ 11425 ■ 11578

■ 1x GU10 R35, max 10W only LED



**EASY LED RIGHT  
11426**

**EASY LED RIGHT**

aluminum, painting steel, plastic PC

■ 11426 ■ 11580

■ 1x GU10 R35, max 10W only LED

Item No.	Power	Colour temp.	Luminous flux	Beam angle	Colour Rendering Index (CRI)	Input	Safety type	Power factor	Ingress protection	Lifetime
11400	32W LED	3000K	1600 lm	100°	>80	~220-230 V, 50/60 Hz	⊕	>0.5	IP20	30000h
11581	32W LED	3000K	2000 lm	100°	>80	~220-230 V, 50/60 Hz	⊕	>0.5	IP20	30000h
11582	32W LED	4000K	2100 lm	100°	>80	~220-230 V, 50/60 Hz	⊕	>0.5	IP20	30000h
11583	27W LED	3000K	1700 lm	100°	>80	~220-230 V, 50/60 Hz	⊕	>0.5	IP20	30000h
11584	27W LED	4000K	1800 lm	100°	>80	~220-230 V, 50/60 Hz	⊕	>0.5	IP20	30000h

Item No.	Power	Colour temp.	Luminous flux	Beam angle	Colour Rendering Index (CRI)	Input	Safety type	Power factor	Ingress protection	Lifetime
11425	11W LED	3000K	380 lm	100°	>90	~220-230 V, 50/60 Hz	⊕	>0.5	IP20	30000h
11426	11W LED	3000K	380 lm	100°	>90	~220-230 V, 50/60 Hz	⊕	>0.5	IP20	30000h
11578	11W LED	3000K	450 lm	100°	>90	~220-230 V, 50/60 Hz	⊕	>0.5	IP20	30000h
11580	11W LED	3000K	450 lm	100°	>90	~220-230 V, 50/60 Hz	⊕	>0.5	IP20	30000h

■ SILK OLIVE P031 ■ WHITE P004 RAL 9003

■ BLACK P013 RAL 9005 ■ WHITE P004 RAL 9003